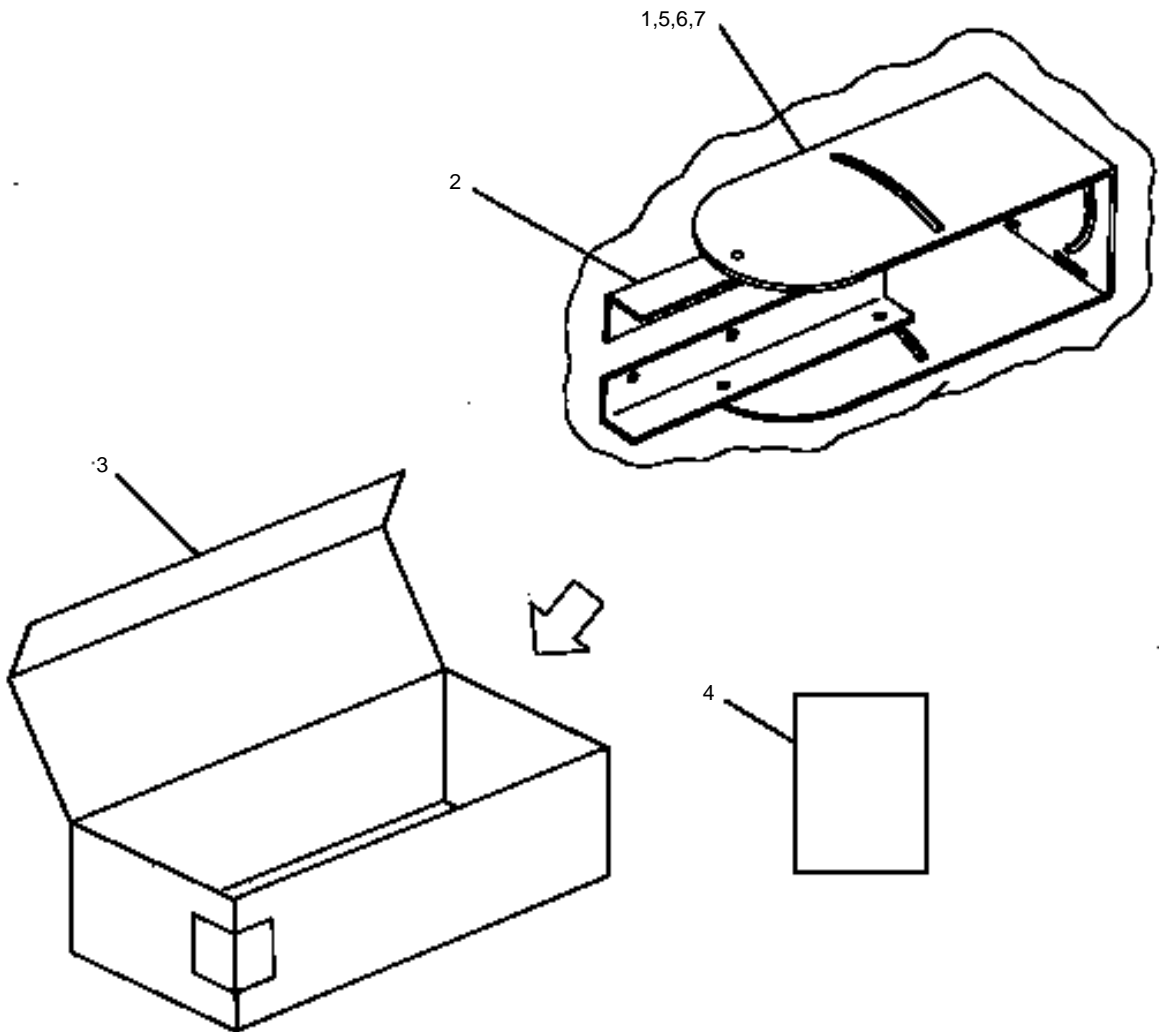


JBL2506C

SPECIFICATIONS

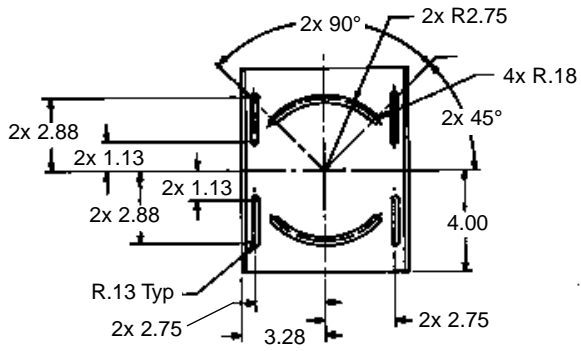


| ITEM No. | QTY | PART NUMBER | DESCRIPTION |
|----------|-----|--------------|----------------------------------|
| 7 | 4 | 805-00010-00 | Nut, 5/16-18, BLK |
| 6 | 8 | 845-00110-06 | Washer, 5/16 Flat, BLK |
| 5 | 4 | 855-0312-16 | Cap Bolt, #5/16-18 x 1, UNC, BLK |
| 4 | 1 | 980-00043-00 | Instruction, 4675C-HFA |
| 3 | 1 | 990-00170-00 | Carton, 2506 Bracket Assy |
| 2 | 1 | 350-00005-00 | Mount Plate |
| 1 | 1 | 350-00004-00 | Horn Bracket |

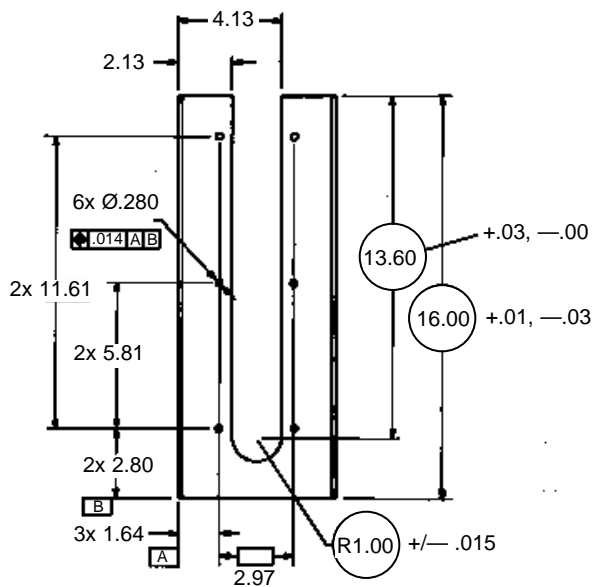
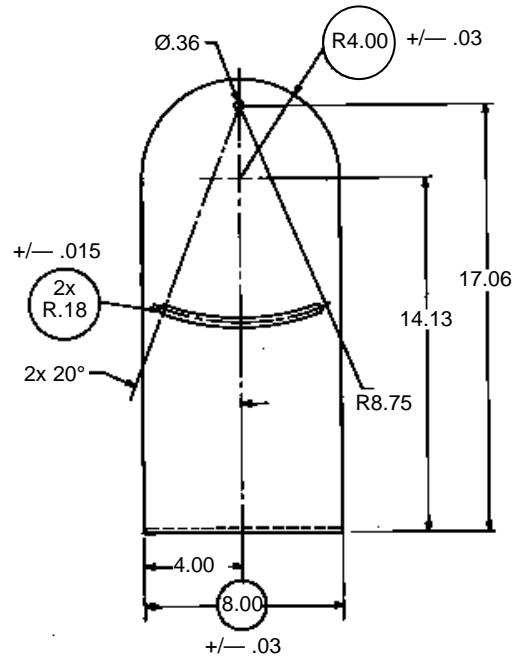
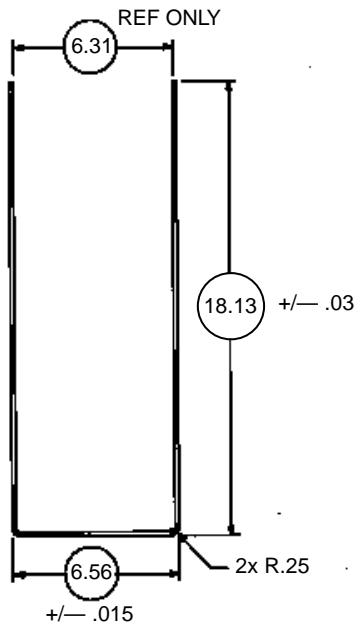


JBL2506C

MECHANICAL DRAWING



BRACKET
350-00004-00



MOUNT PLATE
350-00005-00

